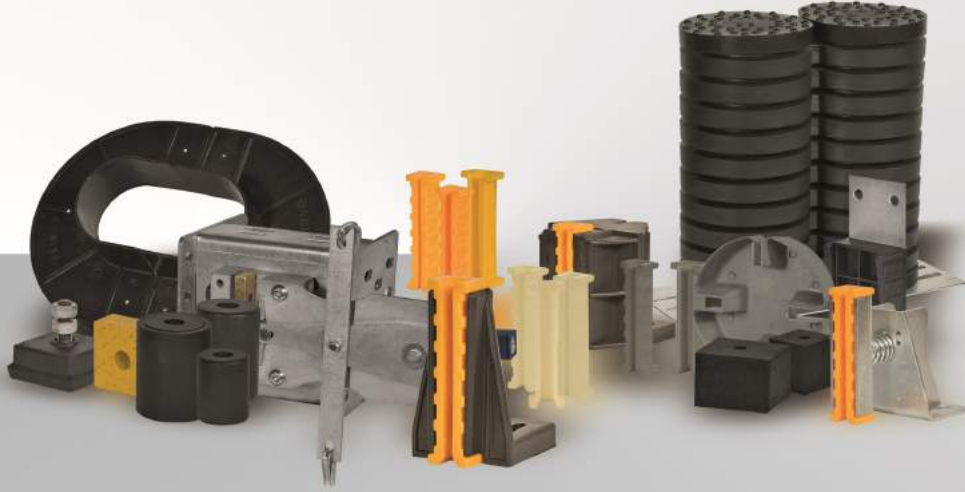


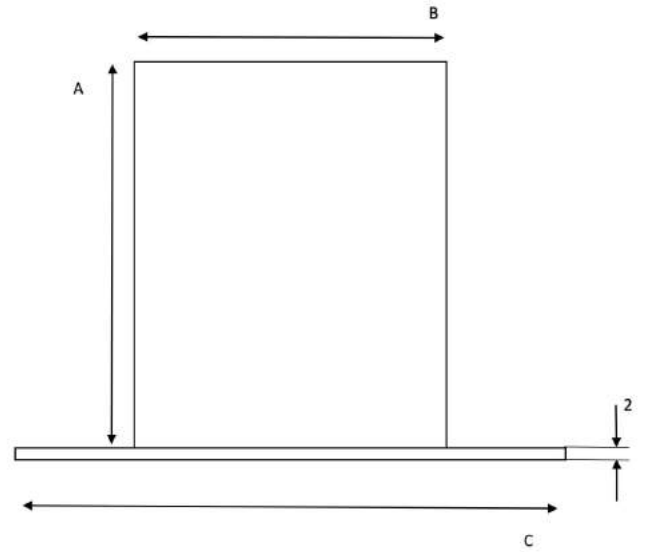


TECHNICAL PRODUCT CATALOG & DIMENSIONS



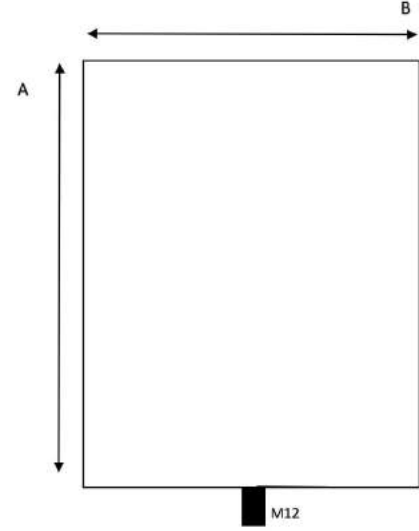
MADE IN TURKEY

ELEVATOR BUFFER EN81 - 20/50



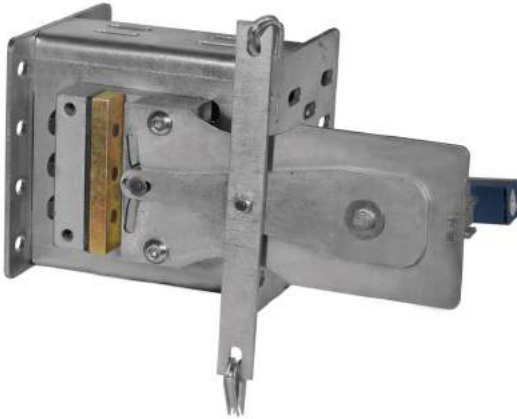
Code	A (mm)	B (mm)	C (mm)	Max. Speed (m/s)	Min (Kg)	Max (Kg)	Material
MP 1	175	Ø 140	200	1	450	1700	PVC, elastomer
MP 2	230	Ø 140	200	1	450	1700	PVC, elastomer
MP 3	285	Ø 140	200	1	600	2500	PVC, elastomer
MP 4	302	Ø 280	340	1	600	3500	PVC, elastomer

ELEVATOR BUFFER EN81 - 20/50

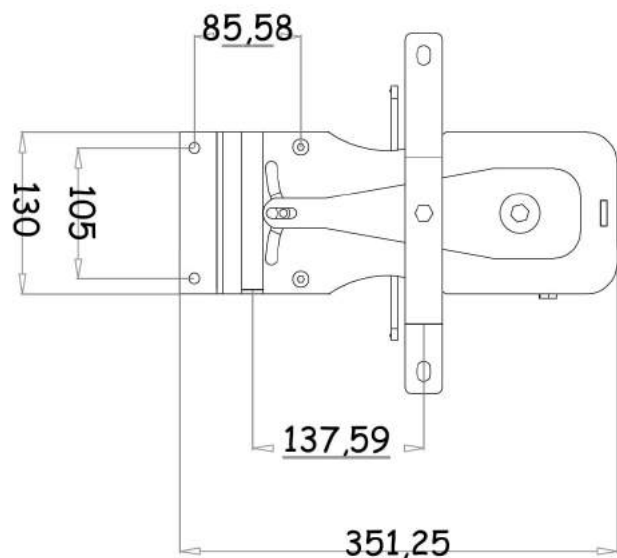
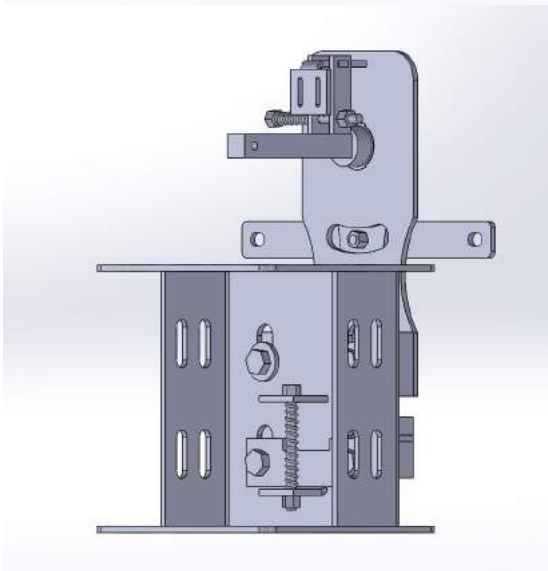
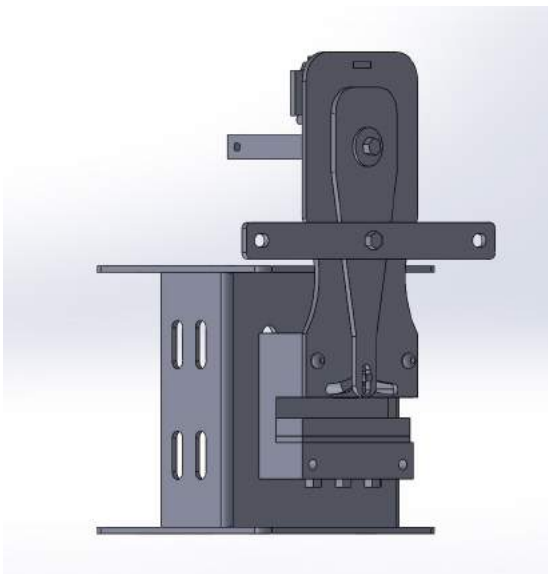


Code	A (mm)	B (mm)	Max. Speed (m/s)	Min (Kg)	Max (Kg)	Material
MPB 1	80	Ø 80	1	230	800	PVC,elastomer
MPB 2	80	Ø 100	1	320	1250	PVC,elastomer
MPB 3	80	Ø 125	1	450	1600	PVC,elastomer
MP 5	93,5	Ø 140	1	500	1700	PVC,elastomer
MP 6	176	Ø 140	1	600	2000	PVC,elastomer
MP 7	67	Ø 140	1	500	1600	PVC,elastomer
MP 8	120	Ø 140	1	500	1800	PVC,elastomer
MP 9	148	Ø 140	1	500	1900	PVC,elastomer

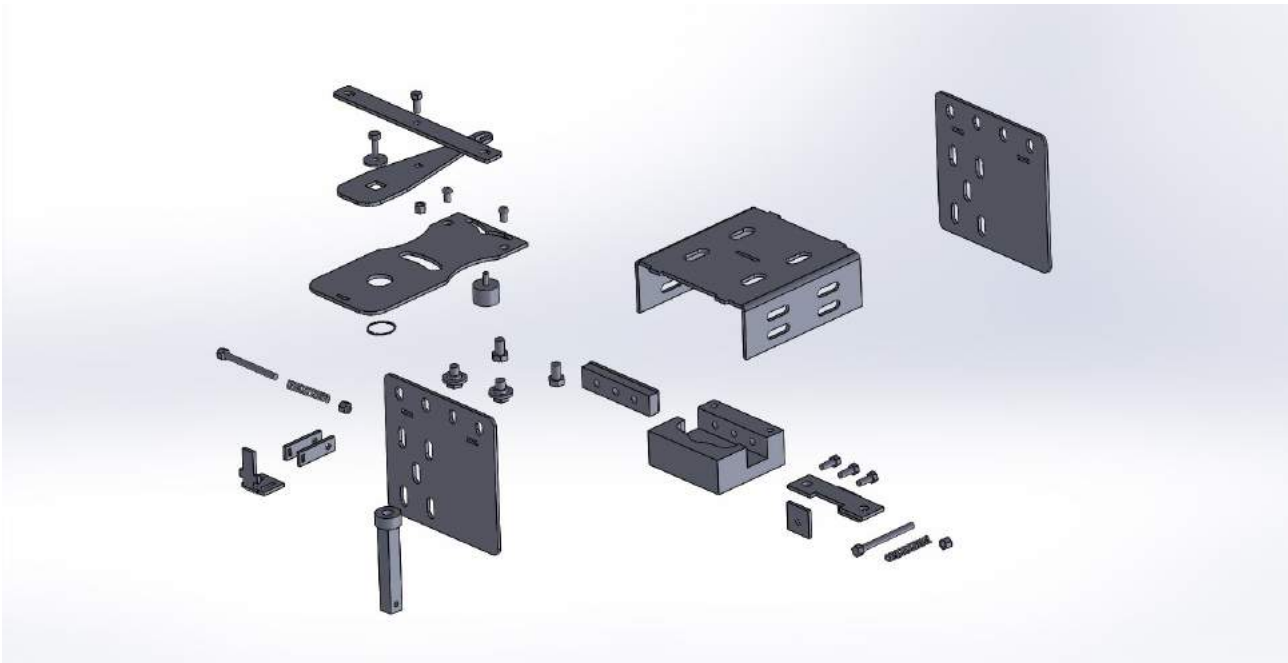
ELEVATOR SAFETY GEAR EN81 - 20/50



- * Steel Body.
- * Easy assembly.
- * No defarmaon on the rail.
- * Adjustment mechanism is easy to adjust the brake center according to the spindle.
- * Since braking blocks are moving during braking the suspension does not couse deformaon in the housing aer braking.
- * There is a centering system on the brake and there is no need for a centering.
- * The rein arm mechanism works from the side so no extra work is required on the suspension.
- * Safety switch and trigger mechanism on break extra process do not require.
- * CE Cerfied. (EN 81 - 50, EN 81 - 20)



ELEVATOR SAFETY GEAR EN81 - 20/50



Code	Max Speed (m/s)	Tripping Speed (m/s)	Min (Kg)	Max (Kg)
MPS 2 9 MM - 16 MM	1.6	2.15	635	2300

MIN. LOAD TEST FOR 9 MM

Guide Rail Blade Width: 9 MM

Guide Rail Surface Condition: A (Drawn) / B (Machined)

Lubrication : 1

Oiling Condition: 2

DATA CODE	RAIL TYPE	AVERAGE LEFT	AVERAGE RIGHT	ACCELERATION	BRAKING FORCE
MPS 231	A 1 - 2	230.33 MM	230.66 MM	3.651 m/s ²	12.610,41 N
MPS 232	A 1 - 2	230.33 MM	230.66 MM	3.399 m/s ²	12.569,06 N
MPS 233	A 1 - 2	230.33 MM	230.66 MM	4.296 m/s ²	12.610,41 N
AVERAGE RESULT:				3.782 m/s²	12.596,62 N
MPS 236	B 1 - 2	232.66 MM	232.66 MM	3.575 m/s ²	12.555,34 N
MPS 237	B 1 - 2	232.66 MM	232.66 MM	3.219 m/s ²	12.528,25 N
MPS 238	B 1 - 2	232.66 MM	232.66 MM	3.468 m/s ²	12.555,34 N
AVERAGE RESULT:				3.648 m/s²	12.546,31 N

ELEVATOR SAFETY GEAR EN81 - 20/50

MAX. LOAD TEST FOR 9 MM

Guide Rail Blade Width: 9 MM

Guide Rail Surface Condition: A (Drawn) / B (Machined)

Lubrication : 1

Oiling Condition: 2

DATA CODE	RAIL TYPE	AVERAGE LEFT	AVERAGE RIGHT	ACCELERATION	BRAKING FORCE
MPS 227	A 1 - 2	435 MM	335 MM	2.772 m/s ²	35.372,34 N
MPS 228	A 1 - 2	435 MM	335 MM	2.402 m/s ²	37.751,21 N
MPS 229	A 1 - 2	435 MM	335 MM	3.532 m/s ²	44.260,45 N
AVERAGE RESULT:				2.902 m/s²	39.128,00 N
MPS 224	B 1 - 2	232.66 MM	232.66 MM	3.371 m/s ²	41.215,19 N
MPS 225	B 1 - 2	232.66 MM	232.66 MM	3.028 m/s ²	41.528,27 N
MPS 226	B 1 - 2	232.66 MM	232.66 MM	3.021 m/s ²	37.535,30 N
AVERAGE RESULT:				3.326 m/s²	4,092,92 N

MIN. LOAD TEST FOR 16 MM

Guide Rail Blade Width: 16 MM

Guide Rail Surface Condition: A (Drawn) / B (Machined)

Lubrication : 1

Oiling Condition: 2

DATA CODE	RAIL TYPE	AVERAGE LEFT	AVERAGE RIGHT	ACCELERATION	BRAKING FORCE
MPS 215	A 1 - 2	233.33 MM	233.33 MM	3.117 m/s ²	12.669,91 N
MPS 216	A 1 - 2	233.33 MM	233.33 MM	3.386 m/s ²	12.532,87 N
MPS 218	A 1 - 2	233.33 MM	233.33 MM	3.734 m/s ²	12.532,87 N
AVERAGE RESULT:				5.325 m/s²	12.578,55 N
MPS 212	B 1 - 2	238.33 MM	238.33 MM	4.001 m/s ²	12.401,55 N
MPS 213	B 1 - 2	238.33 MM	238.33 MM	2.358 m/s ²	12.532,87 N
MPS 214	B 1 - 2	238.33 MM	238.33 MM	2.858 m/s ²	12.401,55 N
AVERAGE RESULT:				3.485 m/s²	12.445,32 N

ELEVATOR SAFETY GEAR EN81 - 20/50

MAX. LOAD TEST FOR 16 MM

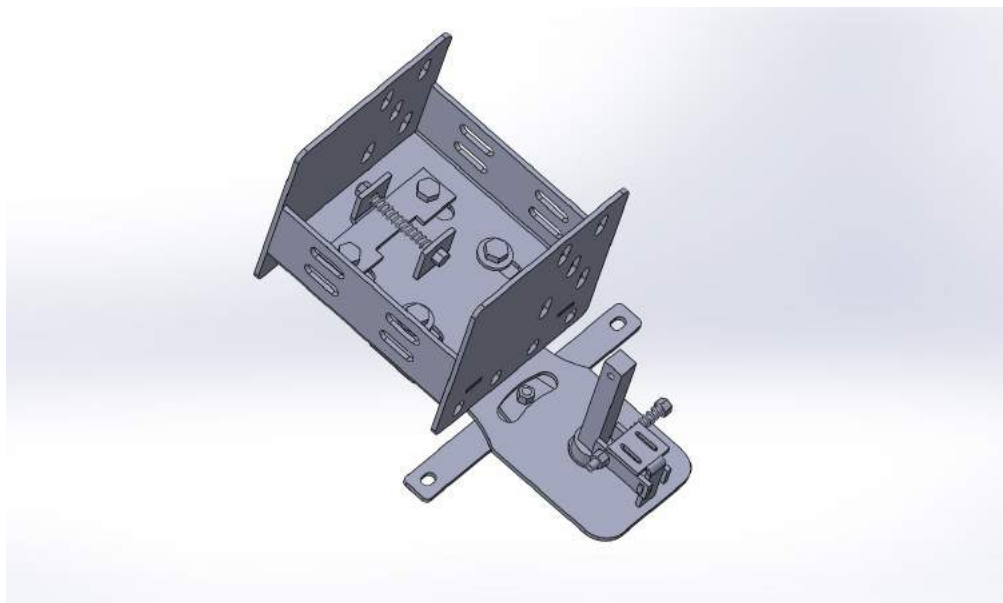
Guide Rail Blade Width: 16 MM

Guide Rail Surface Condition: A (Drawn) / B (Machined)

Lubrication : 1

Oiling Condition: 2

DATA CODE	RAIL TYPE	AVERAGE LEFT	AVERAGE RIGHT	ACCELERATION	BRAKING FORCE
MPS 221	A 1 - 2	465.00 MM	466.66 MM	2.432 m/s ²	38.115,00 N
MPS 222	A 1 - 2	465.00 MM	466.66 MM	3.595 m/s ²	28.765,22 N
MPS 223	A 1 - 2	465.00 MM	466.66 MM	2.867 m/s ²	37.064,19 N
AVERAGE RESULT:				2.434 m/s²	34.648,13 N
MPS 204	B 1 - 2	232.66 MM	232.66 MM	3.757 m/s ²	39.569,14 N
MPS 205	B 1 - 2	232.66 MM	232.66 MM	3.975 m/s ²	40.447,80 N
MPS 206	B 1 - 2	232.66 MM	232.66 MM	3.060 m/s ²	42.073,69 N
AVERAGE RESULT:				2.507 m/s²	40.696,877 N



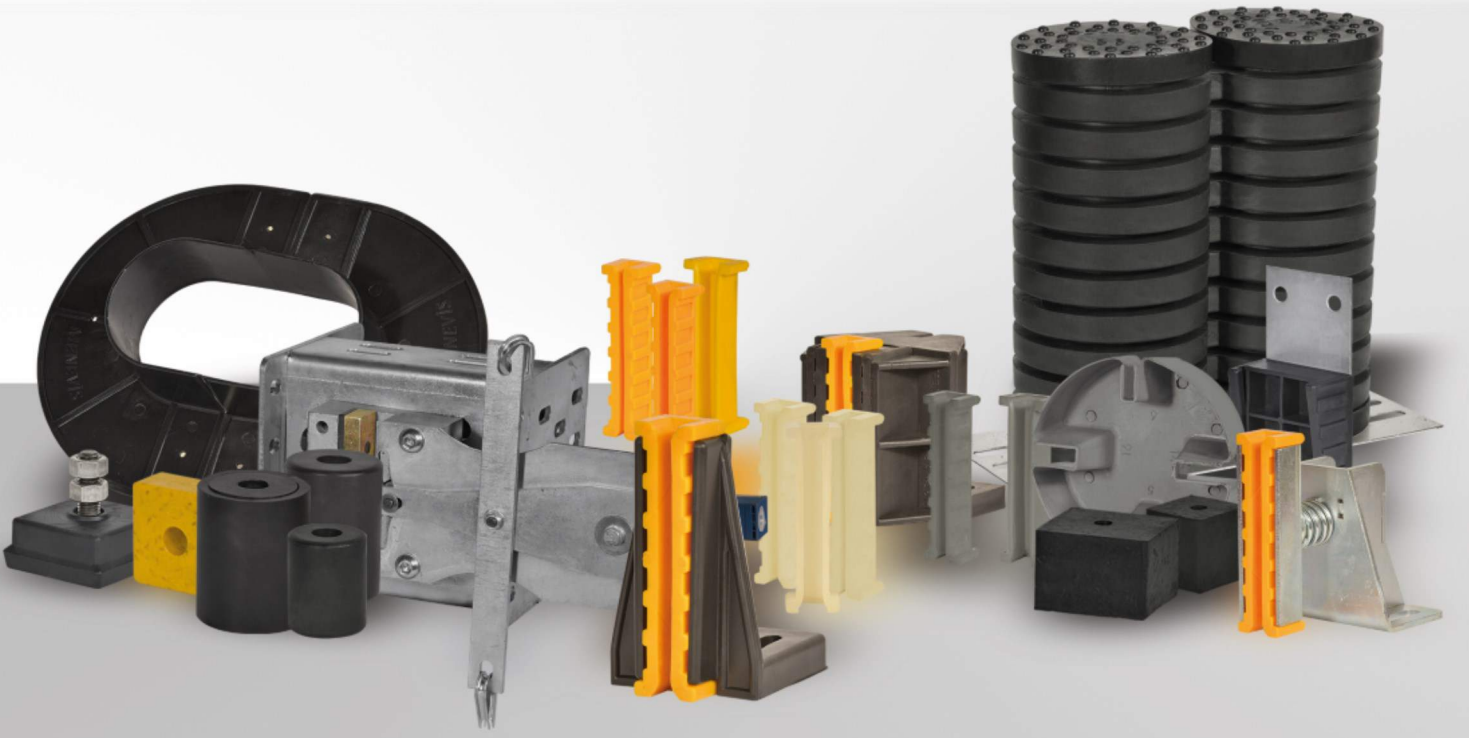
ELEVATOR GUIDE SHOE AND INSERT

5,9,16 mm sizes



ELEVATOR OTHER COMPONENTS





www.menevisasansor.com

Telephone : +90 332 233 19 88

Fax : +90 332 233 19 88

info@menevisasansor.com

sales@menevisasansor.com

